

Product Specification Sheet

25 mL

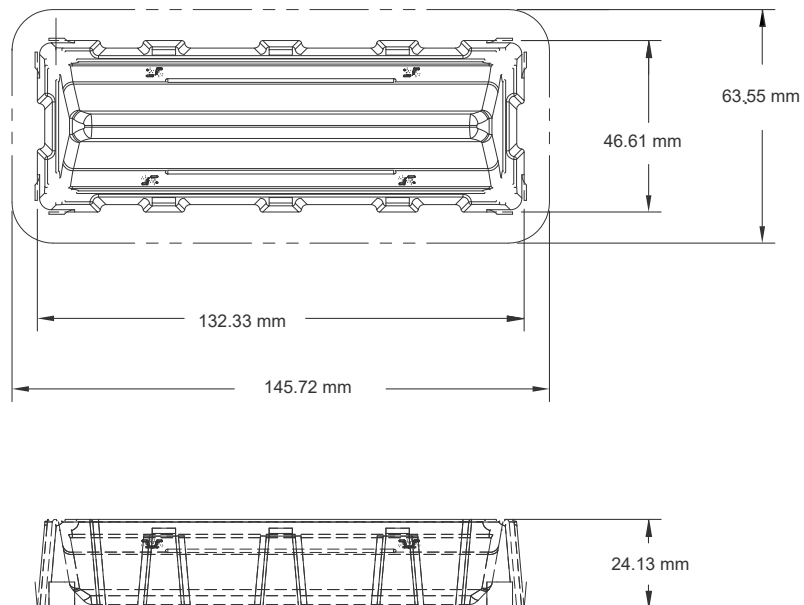
Biotix® Reservoir



SR-0025-5SWM

Description	Disposable Reagent Reservoirs		
	SR-0025-5SWM	SR-0025-1SWM	SR-0025-BWM
Biotix Part Number	SR-0025-5SWM	SR-0025-1SWM	SR-0025-BWM
Maximum Volume	25 ml	25 ml	25 ml
Graduation Marks	Yes	Yes	Yes
Certified Pre-Sterile and Free of Key Contaminants	Yes	Yes	No
Material	Polystyrene	Polystyrene	Polystyrene
Packaging	5 per bag, 100 per case	1 per bag, 25 bags per pack	Bulk, 100 per case
SBS Compliant	Yes	Yes	Yes
Compostable	Yes	Yes	Yes

Technical Drawings



Quality Testing

RNase/DNase	Products are washed in distilled water and concentrated via centrifugation. Samples are added to previously established nucleic acid standards, incubated for one hour at 37°C, and tested on a 2% gel using electrophoresis. Products must show no degradation of standards to pass. Test sensitivity is 10 ⁻⁷ Kunitz units/μL.
Nucleic Acid	Products are washed in distilled water and concentrated via centrifugation. Then, samples are added to protocol specified PCR reactions and thermal cycled for 50 cycles. A 2% agarose gel electrophoresis is used to examine experimental samples, positive controls, and negative controls. To pass, product samples must show no DNA amplification. Test sensitivity is 10 ng.
Endotoxin/Pyrogen	Products are tested for endotoxins by using the Limulus Amebocyte Lysate (LAL) gel assay according to FDA guidelines. Test sensitivity is 0.06 EU/ml.
Trace Metal	Products are washed in distilled water. The sample is then tested using reflectometry using a single strip test for the following metals: Ca, Cu, Fe, K, Mg, Mn and Ni. Standard solutions are used as positive controls. A reader is used to detect metals to a sensitivity of 500 mg/L.
PCR Inhibitor	Products are tested via PCR amplification and gel electrophoresis analysis. Samples must show normal amplification to be considered free of PCR inhibitors.
Sterilization	Products are sterilized to 10 ³ sterility insurance level (SAL).

Chemical Resistance

Solvent	20°C	50°C
	Natural Polystyrene	Natural Polystyrene
Acetone	N	N
Ammonium Chloride	E	E
Ammonium Sulfate	E	E
Dimethylsulfoxide	N	N
Ethanol	E	E
Chloroform	N	N
Magnesium Chloride	E	E
Mineral Oil	E	E
Phenol 10%	S	S
Tromethamine	E	E
Edeate Disodium	E	E
Acetic Acid, Glacial	E	S
Benzene	N	N
Boric Acid	E	E
1,3-Butadiene	E	E
Calcium Hydroxide	E	E
Chlorine	S	S
Formaldehyde	E	E
Hexanes	N	N
Hydrochloric Acid	E	E
Hydrogen Peroxide	E	E
Kerosene	S	S
Sulfuric Acid 95%	N	N
Sulfuric Acid 20%	E	E

E = Excellent resistance, no etching

B = Good resistance, little etching after day 28

S = Fair resistance, etching after day 7

N = Not recommended