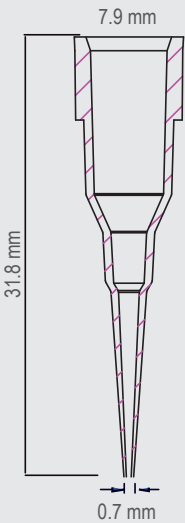
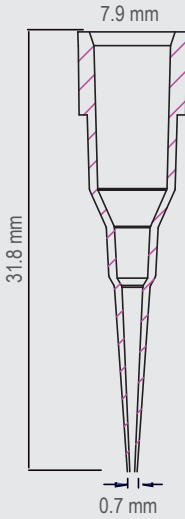




T-0020-9NB T-0020-9NC
 T-0020-9SB T-0020-9SC

Description	20 µl Tip	20 µl Tip	20 µl Tip	20 µl Tip
Biotix Part #	T-0020-9NB	T-0020-9SB	T-0020-9NC	T-0020-9SC
Maximum Volume	20 µl	20 µl	20 µl	20 µl
Certified Pre-Sterile	No	Yes	No	Yes
Material	Medical-grade virgin polypropylene			
Color	Black	Black	Clear	Clear
Packaging	96 tips/rack 24 racks/case			
Blade™	Yes			
Technical Drawings				



Quality Testing

RNase/DNase	Products are washed in distilled water and concentrated via centrifugation. Samples are added to previously established nucleic acid standards, incubated for one hour at 37°C, and tested on a 2% gel using electrophoresis. Products must show no degradation of standards to pass. Test sensitivity is 10 ⁻⁷ Kunitz units/μl.
Nucleic Acid	Products are washed in distilled water and concentrated via centrifugation. Then, samples are added to protocol specified PCR reactions and thermal cycled for 50 cycles. A 2% agarose gel electrophoresis is used to examine experimental samples, positive controls, and negative controls. To pass, product samples must show no DNA amplification. Test sensitivity is 10 ng.
Endotoxin/Pyrogen	Products are tested for endotoxins by using the Limulus Amebocyte Lysate (LAL) gel assay according to FDA guidelines. Test sensitivity is 0.06 EU/ml.
Trace Metal	Products are washed in distilled water. The sample is then tested using reflectometry using a single strip test for the following metals: Ca, Cu, Fe, K, Mg, Mn and Ni. Standard solutions are used as positive controls. A reader is used to detect metals to a sensitivity of 500 mg/L.
PCR Inhibitor	Products are tested via PCR amplification and gel electrophoresis analysis. Samples must show normal amplification to be considered free of PCR inhibitors.
Sterilization	Products are sterilized using electron beam irradiation.
CV Test	Each lot of Biotix product is CV tested and the resulting CV is then printed on the pack label. The volume tested is equal to the maximum volume per tip size.
TIR-Total Indicated Runout	Biotix pipette tips are tested to ensure that they meet the SBS standards. Individual products specify their compatibility with 96, 384 or 1536-well plates.

Proprietary Technologies

Blade	Minimal distal end orifice Patents Pending
--------------	---

Liquid Handling System Compatibility

Tecan Genesis Freedom, Freedom EVO®, and MiniPrep Cavro®, PerkinElmer/Packard Multiprobe II HT, and Multiprobe II HT EX Workstations / Automated Liquid Handling Systems

©2014, Biotix, Inc. All rights reserved

Biotix, Fluid Innovation, Delta Filter, X-Resin, Chem-Resin, Blade, FlexFit, Statix, Leave Nothing Behind, BioReady, Tip Eject, and XTreme Quality are registered trademarks or trademarks of Biotix, Inc. All other brands and names contained herein are the property of their respective owners.